







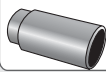



# Installation Instructions Trektop NX

## Vehicle Application:

- Jeep Wrangler (JK) 2 Door  
2007 – Current  
Part Number: 56822

[www.Bestop.com](http://www.Bestop.com) - We're here to help! Visit our web site and click on "[Ask a Question](#)". Click here for more [Jeep® Accessories by Bestop](#).

INSTALLATION TIME	SKILL LEVEL
  <b>1 Hour</b>	  <b>2 - Moderately Easy</b>

TOOLS			
 Safety Glasses	 Phillips Screwdriver	 Socket 13 mm	 Ratchet
 Utility Knife	 Wrench 3/8"		



**Installation Tips**

**Before you begin installing this assembly, read all instructions thoroughly.**

**For a smooth fit:**  
For ease in installation, the product should be installed at temperatures above 72° F. Below this temperature, the fabric may contract an inch or more, making it difficult to fit to the vehicle. It is normal for fabric to contract and wrinkle when stored in the shipping carton. Within a few days after installation, the fabric will relax and the wrinkles will disappear.

**CAUTION** Safety glasses should be worn at all times while installing this product.

**WARNING** This product is designed primarily to enhance the appearance of the vehicle and to shield the occupants from ordinary weather conditions. Do not rely in any way on the components of this product to contain occupants within the vehicle, or to protect against injury or death in the event of an accident. This product will not protect the occupants from falling objects. Never operate the vehicle in excess of manufacturer's specifications.

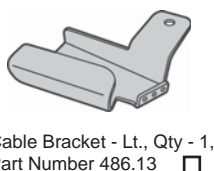
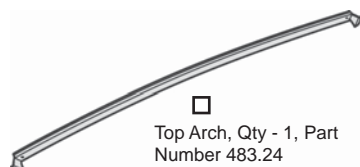
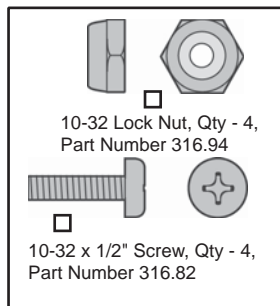
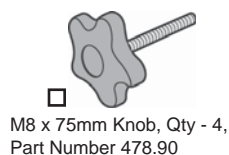
**WEAR SEAT BELTS AT ALL TIMES**

Read and follow, precisely, all installation instructions provided when installing product. Failure to do so may result in a poor fit and could place occupants of the vehicle in a potentially dangerous situation.

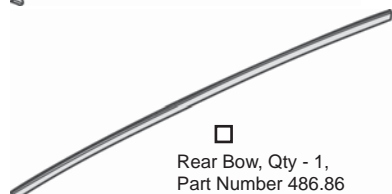
# Trektop NX Installation Instructions

## Parts List and Hardware Identification

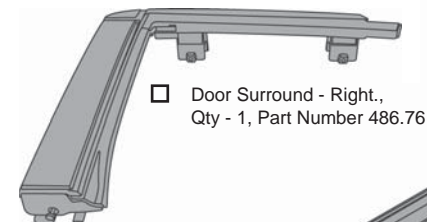
Fabric Top with Header Assembly	Qty - 1
Quarter Window, Right	Qty - 1
Quarter Window, Left	Qty - 1
Rear Window	Qty - 1
Center Straps, Part Number 486.95	Qty - 2



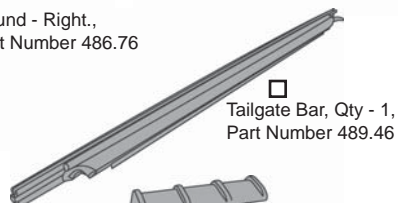
Foam Tape, Qty - 2, Part Number 417.43



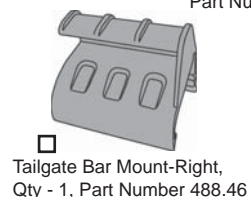
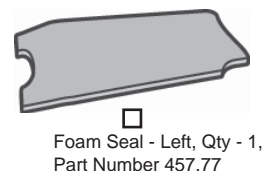
Door Surround - Left, Qty - 1, Part Number 486.77



J-Hook Buckle Strap, Qty - 2, Part Number 486.94



Cable Bracket - Rt., Qty - 1, Part Number 486.12



Quick Release Bracket, Qty - 2, Part Number 486.16



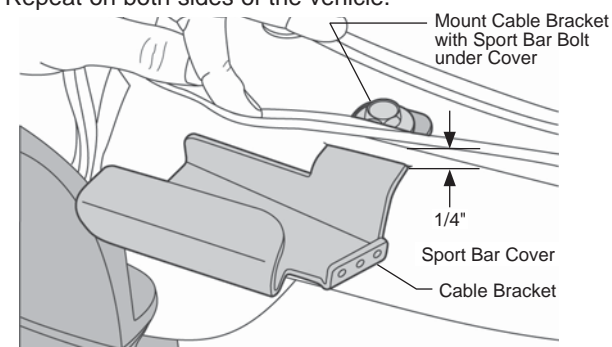
## 1 Install Cable Brackets

Unzip the upper rear sport bar cover and locate the upper sport bar bolt. Remove the bolt and set it aside to be reused.

Cut a horizontal slit the same width as the Cable Bracket in the sport bar cover 1/4" below the zipper and aligned with the bolt hole.

Use the bolt that was removed to mount the Cable Bracket to the sport bar through the sport bar cover.

Repeat on both sides of the vehicle.



## 2 Install Tailgate Bar Mounts

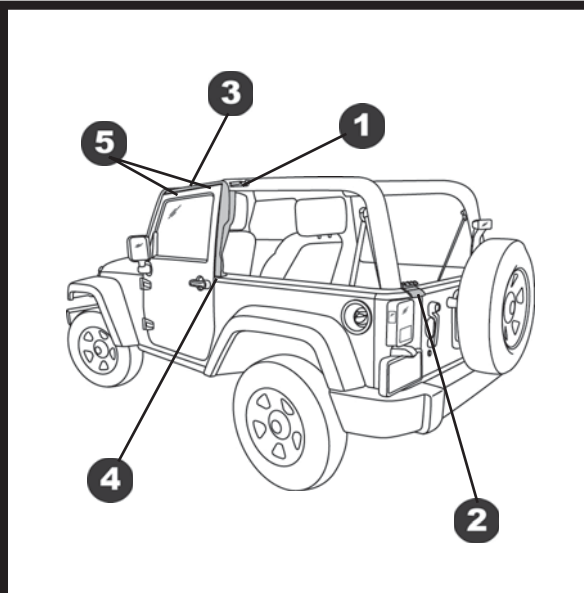
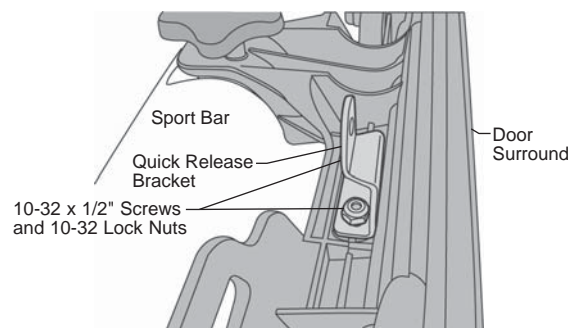
Locate the left and right Tailgate Bar Mounts. Orient them on the vehicle. Hook the bottom of one mount under the belt rail and roll it toward the inside of the vehicle until it clips into place. Repeat this with the other Tailgate Bar Mount.



## Trektop NX Installation Instructions

### 3 Install Quick Release Bracket

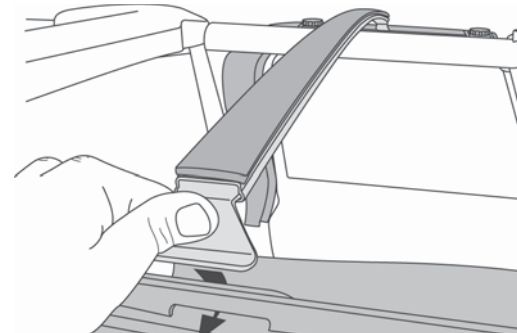
Mount the Left Quick Release Bracket to the Left Door Surround with two (2) 10-32 x 1/2" Screws and 10-32 Lock Nuts. Repeat with the Right Door Surround.



### 6 Install Top Arch

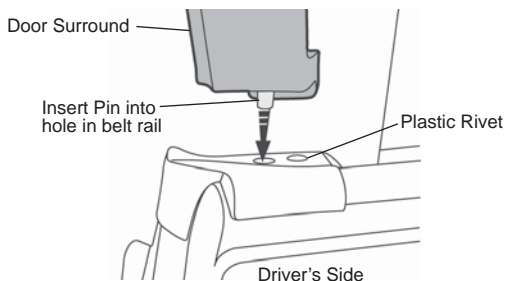
Insert one end of the Top Arch in to the slot in the middle of one of the Front Door Surrounds. Push the other end inward to flex the bow and insert it into the slot on the other side of the vehicle.

**NOTE** Remove adhesive paper from Top Arch before installing.



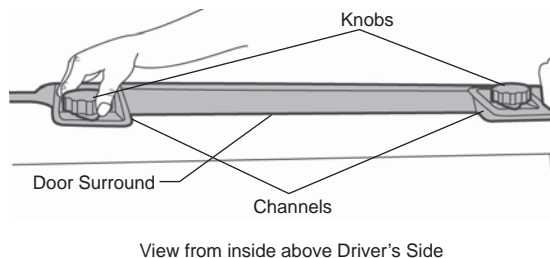
### 4 Install Door Surrounds

Locate the left and right Door Surrounds. Insert the pin in the bottom of the Door Surround into the hole in the belt rail behind the door.



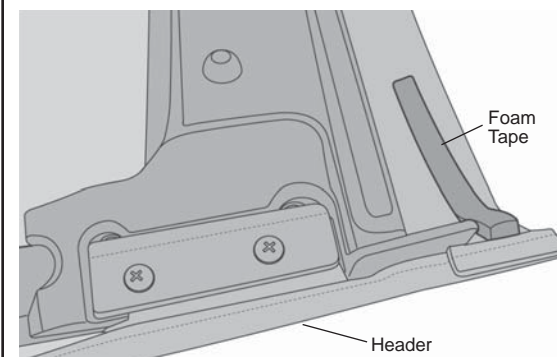
### 5 Install Door Surround Knobs

Press the channels along the top of the Door Surround around the horizontal sport bar, above the door opening. Insert two Knobs into the Door Surround and tighten them down.



### 7 Install Foam Tape

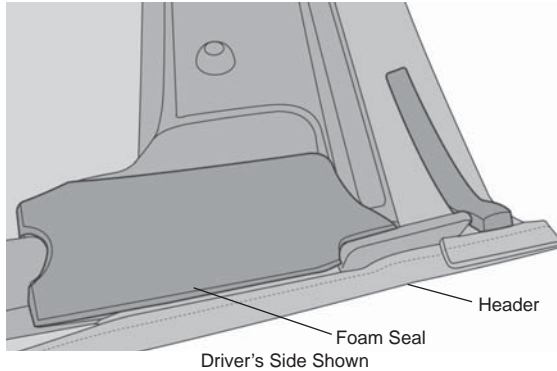
Peel the backing off the Foam Tape and install it on each side of the Header.



# Trektop NX Installation Instructions

## 8 Install Foam Seal

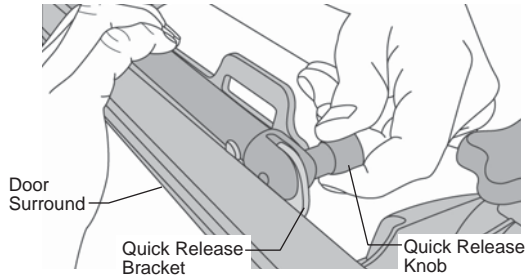
Peel the backing off the Driver's Side Foam Seal and install it on the driver's side of the Header. Repeat on the passenger side.



## 9 Mount Header Assembly to Quick Release Brackets

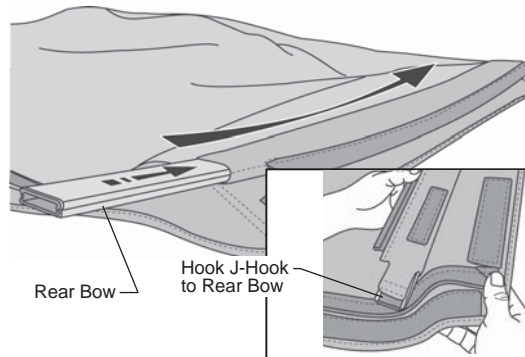
Fold the Top Fabric toward the front of the Header. Pull back on the Quick Release Knob on the Side Bow and secure to the Quick Release Bracket on both sides of the vehicle.

Once the Header Assembly is secure, tighten the screws that secure the Quick Release Brackets.



## 10 Install Rear Bow

Slide the Rear Bow into the pocket inside the rear of the Top Fabric. Secure the J-Hooks on the rear bow flaps to the ends of the Rear Bow.



## 11 Drape Top Fabric over Vehicle

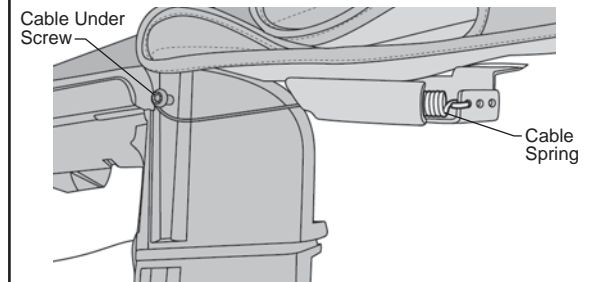
Drape the Top Fabric over the Top Arch and sport bar.



## 12 Secure Cable Spring

Open the Header back toward the rear. Run the cable under the Door Surround screw and through the Cable Bracket. Hook the cable spring to the outer hole on the bracket.

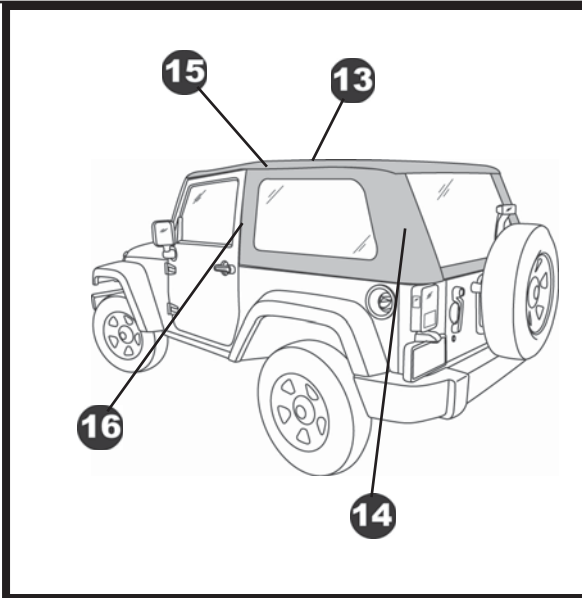
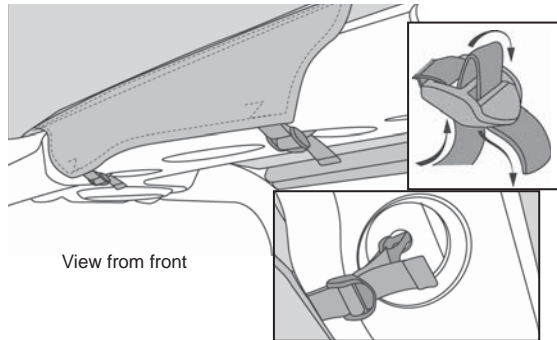
**NOTE** To increase spring tension for a tighter fit, hook the spring into one of the inner holes in the Cable Bracket.



## Trektop NX Installation Instructions

### 13 Secure Center Straps

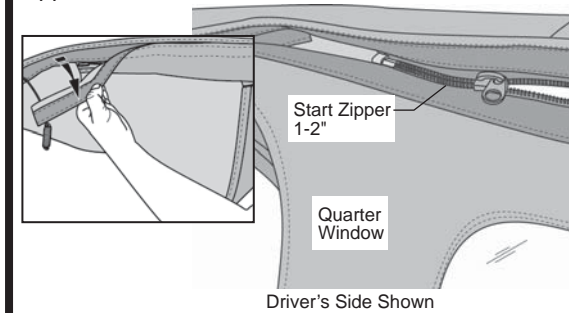
Locate the flap with the straps sewn to the center of the Top. Pull the straps under the pod and hook into the openings in the pod. Pull the end of each strap to tighten securely.



### 15 Install Quarter Windows

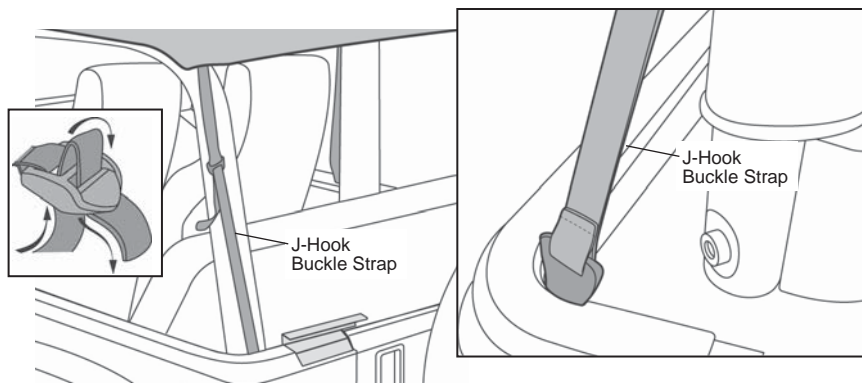
Separate the protective flap covering the hook strip on the side of the Deck. Open the flap toward the inside of the vehicle.

Start the zipper along the top of the Quarter Window with the zipper in the Top. Only close the zipper 1-2".



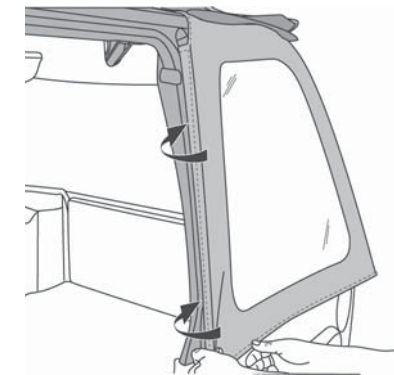
### 14 Secure Rear Straps

Thread a J-Hook Buckle Strap through the buckle on one of the rear straps. Hook the strap to the ledge inside the rear corner of the vehicle. Repeat on both sides of the vehicle.



### 16 Secure Quarter Windows to Door Surrounds

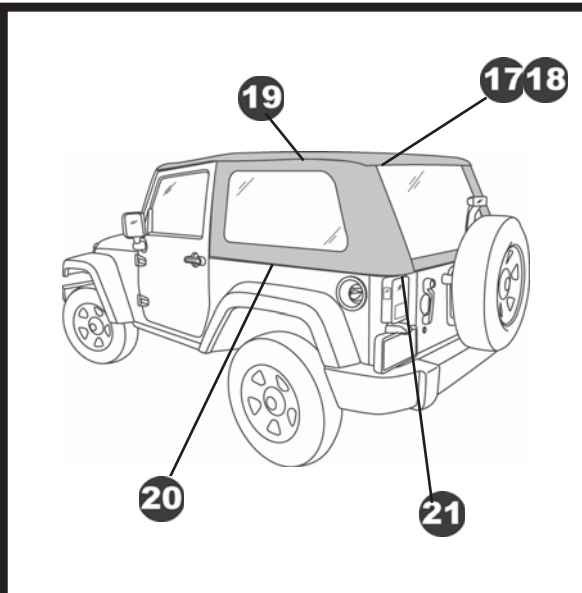
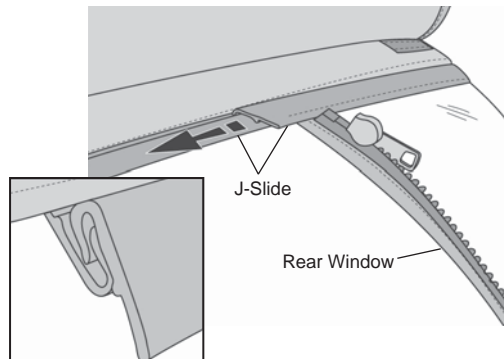
Slip the plastic strip on the front of a Quarter Window into the channel in the Door Surround. Repeat with both Quarter Windows.



## Trektop NX Installation Instructions

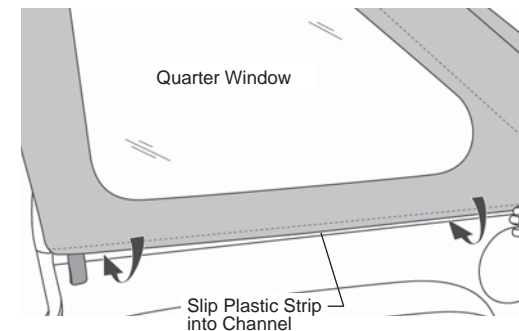
### 17 Install Rear Window

Orient the Rear Window with the plastic J-slide toward the top. Align the J-slide with the J-slide sewn into the rear of the Top. Slide them together until the Rear Window is centered in the opening.



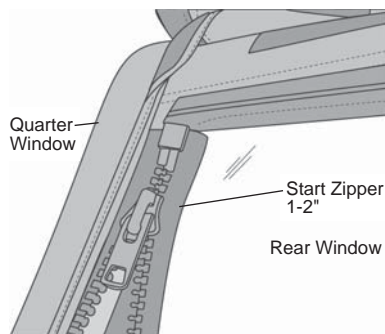
### 20 Secure Quarter Windows to Belt Rails

Slip the plastic strip along the bottom of the Quarter Windows into the channel in the belt rail on each side of the vehicle.



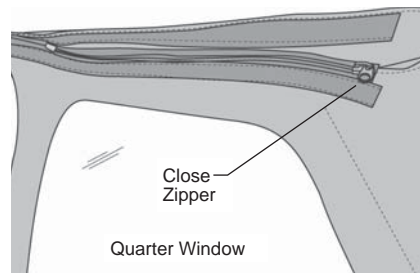
### 18 Engage Rear Window Zipper

Engage the Rear Window zipper with the Quarter Panel zipper. Only close the zipper 1-2".



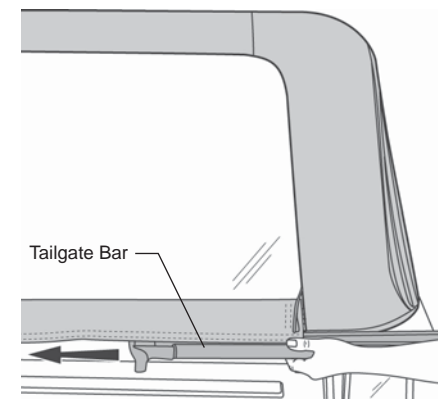
### 19 Close Upper Zipper on Quarter Windows

Close the zippers along the top of each Quarter Window.



### 21 Install Tailgate Bar

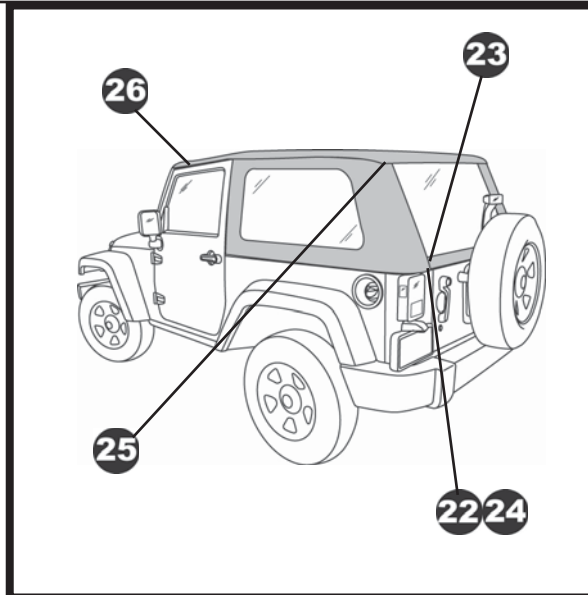
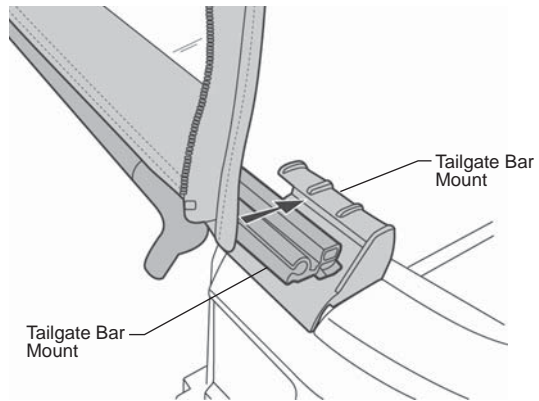
Slide the channel in the Tailgate Bar onto the tubing along the bottom of the Rear Window on the inside.



# Trektop NX Installation Instructions

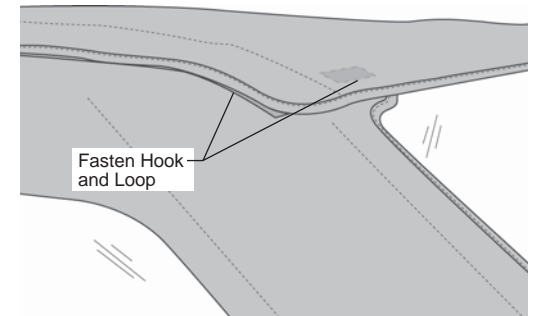
## 22 Secure Tailgate Bar

Slide the Tailgate Bar into the Tailgate Bar Mounts on each side of the tailgate opening.



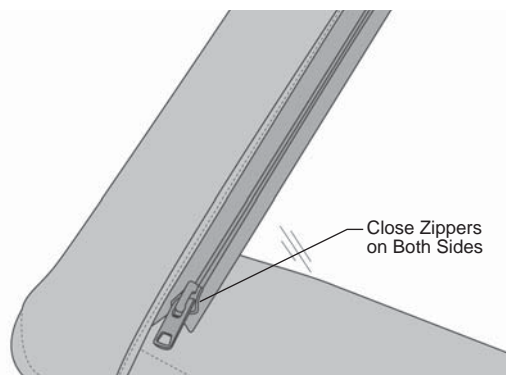
## 25 Secure Top Fabric to Quarter Windows

Fasten the loop strip sewn inside the Top to the hook strip along the top of the Quarter Window on each side of the vehicle.



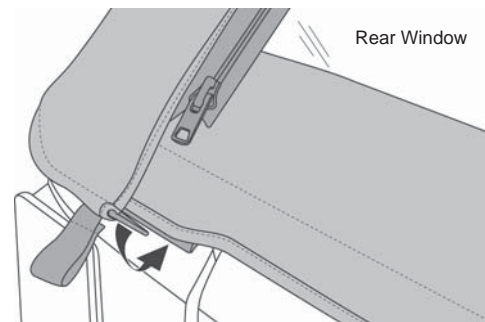
## 23 Close Rear Window Zippers

Close the zippers on both sides of the Rear Window.



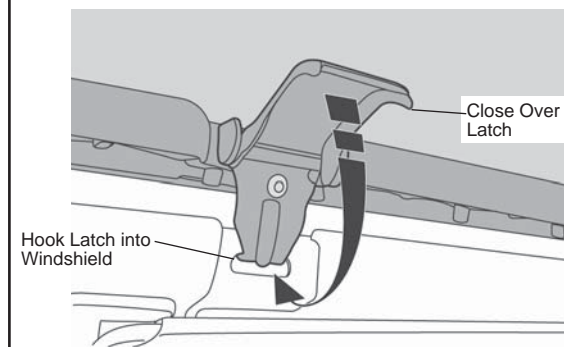
## 24 Secure Quarter Window to Tailgate Retainer

Wrap the Quarter Windows over the Rear Window and slip the plastic strips on each Quarter Window under the Tailgate Retainer clips on each side of the tailgate.



## 26 Secure Header to Windshield

Hook the latches on the Header into the holes in the windshield and close them.



## Trektop NX Installation Instructions



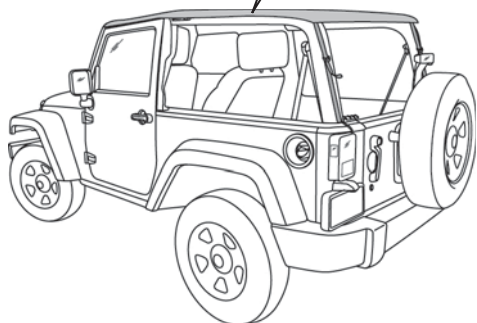
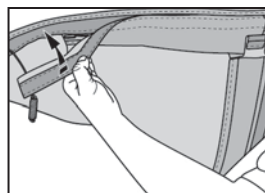
### WARNING

When operating the vehicle without the Quarter Windows, the Rear Window should be removed for proper ventilation.

27

### To Use Trektop NX as a Bikini

Your Bestop Trektop NX can be used as a Bikini by removing the Quarter Windows and Rear Window and storing them carefully. Fold the protective flaps over to engage the hook and loop tape.



## Care and Maintenance of your Bestop Product

Your Bestop product is made of the finest materials available. To keep it looking new and for the maximum possible wear, it will need periodic cleaning and maintenance.

**Fabric:** The fabric should be washed often using soap, warm water and a soft bristle brush. Rinse with clear water to remove all traces of soap. Bestop recommends using Bestop Cleaner (part no. 11201-00) and Bestop Protectant (part no. 11202-00). Bestop Cleaner and Bestop protectant are specially formulated to provide a total cleaning and protection system. Bestop Cleaner safely removes the toughest stains, will not harm vehicle finishes, is biodegradable and environmentally friendly. Bestop Protectant protects against UV-fading, cracking and hardening, and repels dust, grease, dirt and mildew.

**Windows:** Keep windows clean to avoid scratching. DO NOT use a brush on the windows! Wash with a water-soaked cloth or sponge and a mild dishwashing detergent. Bestop recommends Bestop Vinyl Window Cleaner (part no. 11203-00), which safely cleans and protects vinyl windows and helps prevent UV damage. NEVER WIPE THE WINDOWS WHEN THEY ARE DRY. Be careful when cleaning snow or frost from the vinyl windows since they are easily scratched and may crack at low temperatures. DO NOT roll the sides or rear window in cold weather. The windows become stiff and will crack. Cracks caused by misuse in cold temperatures are not covered under warranty.

**Zippers:** Keeping zippers cleaned and lubricated with Bestop's Zipper Cleaner (part no. 11206-00) will help prevent damage and keep the zippers in smooth working condition. If a zipper opens behind the slider, the slider may have been spread apart. This problem can usually be repaired by using an ordinary pair of pliers to bring the sides back into parallel. Return slider to the end of the zipper in the normal Open position. Squeeze lightly at first and test the zipper. If the zipper continues to remain open squeeze more firmly with the pliers and try the zipper again. Repeat this procedure until the zipper operates correctly.

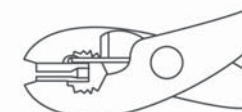


Normal Slider -  
Jaws Parallel



Damaged Slider -  
Jaws Spread Apart  
(sometimes broken)

**Water:** Seeping through at the seams may be stopped by applying 3-M Scotchgard® on the inside of the seams. Rips in the fabric may be repaired with Bondex® iron on patches. Iron the patches to the inside of the top, carefully following the Bondex® instructions.



**Snaps:** Keep snaps cleaned and lubricated with silicone to help prevent snaps from sticking to the studs. If a snap does become stuck to a stud, use a screwdriver and GENTLY pry apart to prevent permanent damage to the snap or the top fabric.



## Trektop NX Installation Instructions

---

### LIMITED WARRANTY

We warrant our product to be free from defects in material and workmanship, for the terms specified below, provided there has been normal use and proper maintenance. This warranty applies to the original purchaser only. All remedies under this warranty are limited to the repair or replacement of any item or items found by the factory to be defective within the time period specified. If you have a warranty claim, first you must call our factory at the number below for instructions. You must retain proof of purchase and submit a copy with any items returned for warranty work. Upon completion of warranty work, if any, we will return the repaired or replaced item or items to you freight prepaid. Damage to our products caused by accidents, fire, vandalism, negligence, misinstallation, misuse, Acts of God, or by defective parts not manufactured by us, is not covered under this warranty.

THE WARRANTY TIME PERIOD IS AS FOLLOWS FOR REPLACE-A-TOP™, SAILCLOTH REPLACE-A-TOP™, SUPERTOP®, SUPERTOP® REPLACEMENT SKINS, SUNRIDER®, AND TIGERTOP®: TWO YEARS FROM DATE OF PURCHASE.

THE WARRANTY TIME PERIOD IS AS FOLLOWS FOR ALL OTHER “SOFT GOODS” MANUFACTURED BY OUR COMPANY (USING PRIMARILY VINYL, PLASTICS, AND/OR FOAM): ONE YEAR FROM DATE OF PURCHASE.

THE WARRANTY TIME PERIOD IS AS FOLLOWS FOR ALL OTHER “HARD GOODS” MANUFACTURED BY OUR COMPANY (USING PRIMARILY METALS, PLASTICS, AND/OR FIBERGLASS): ONE YEAR FROM DATE OF PURCHASE.

ANY IMPLIED WARRANTIES OF MERCHANTABILITY AND/OR FITNESS FOR A PARTICULAR PURPOSE CREATED HEREBY ARE LIMITED IN DURATION TO THE SAME DURATION AND SCOPE AS THE EXPRESS WRITTEN WARRANTY. OUR COMPANY SHALL NOT BE LIABLE FOR ANY INCIDENTAL OR CONSEQUENTIAL DAMAGE.

Some states do not allow limitations on how long an implied warranty lasts, or the exclusion or limitation of incidental or consequential damages, so the above limitations or exclusions may not apply to you. This warranty gives you specific legal rights, and you may also have other rights which vary from state to state.



For further information or request for warranty work, please contact:

Bestop Inc., Customer Service  
Toll-Free: (800) 845-3567  
Main: (303) 465-1755  
E-mail: [csbestop@Bestop.com](mailto:csbestop@Bestop.com)  
Website: [www.Bestop.com](http://www.Bestop.com)